

PRODOTTI / RICAMBI
PRODUCTS / SPARE PARTS
PRODUITS / PIÈCES DÉTACHÉES
PRODUKTE / ERSATZTEILE
PRODUCTOS / REPUESTOS

MYTHOS

Esplosi

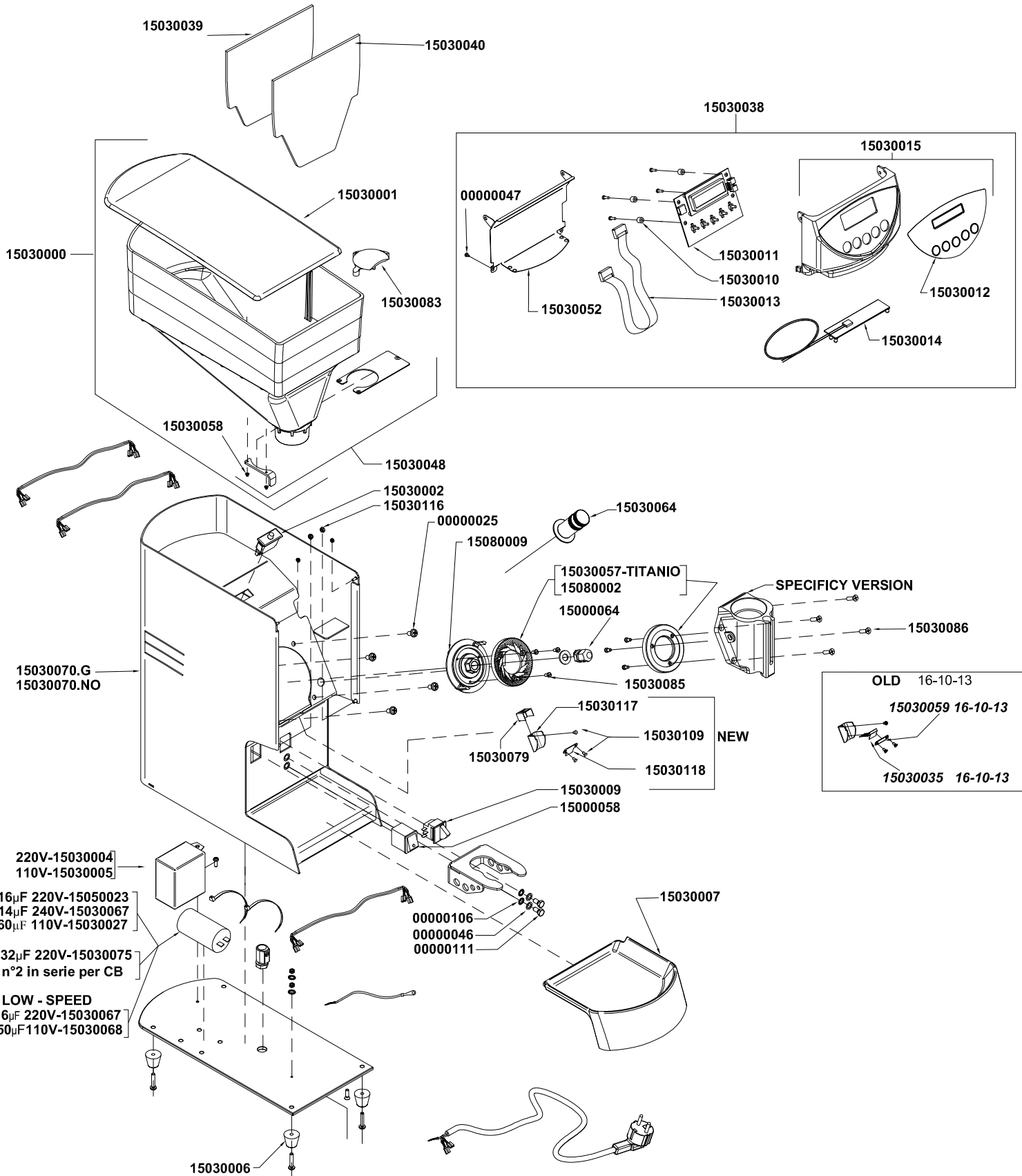
04/2016



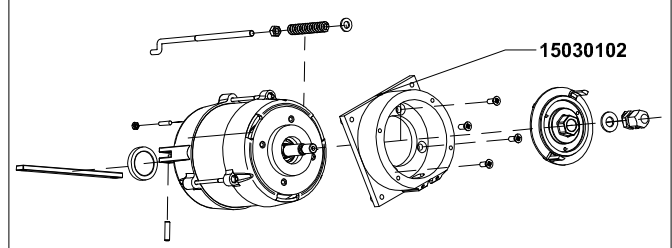
nuova
SIMONELLI®

MYTHOS

M
Y
T
H
O
S
P
L
U
S
-
B
A
R
I
S
T
A
-
B
A
S
I
C



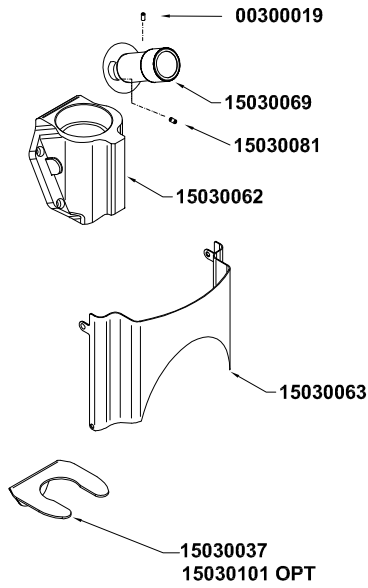
| | | |
|-----------------|---------------|----------------|
| MOTORE COMPLETO | 220V-15030016 | 110V--15030017 |
| LOW - SPEED | 220V-15030065 | 110V--15030066 |



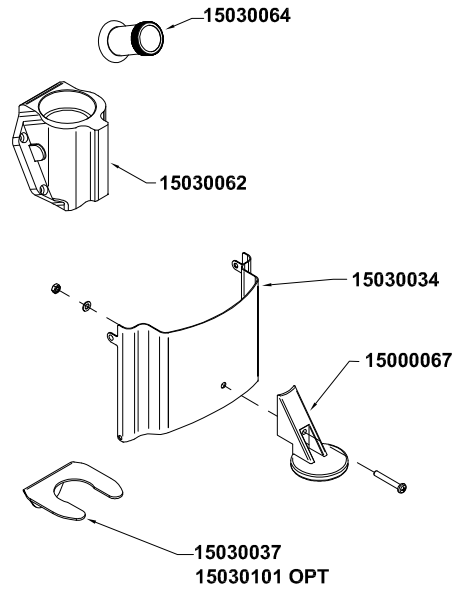
TAV 01

MYTHOS: SENZA PRESSINO

VERSIONE: BARISTA

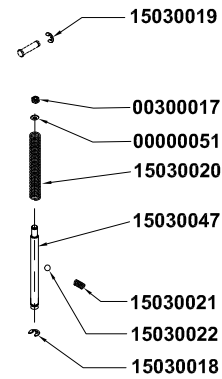
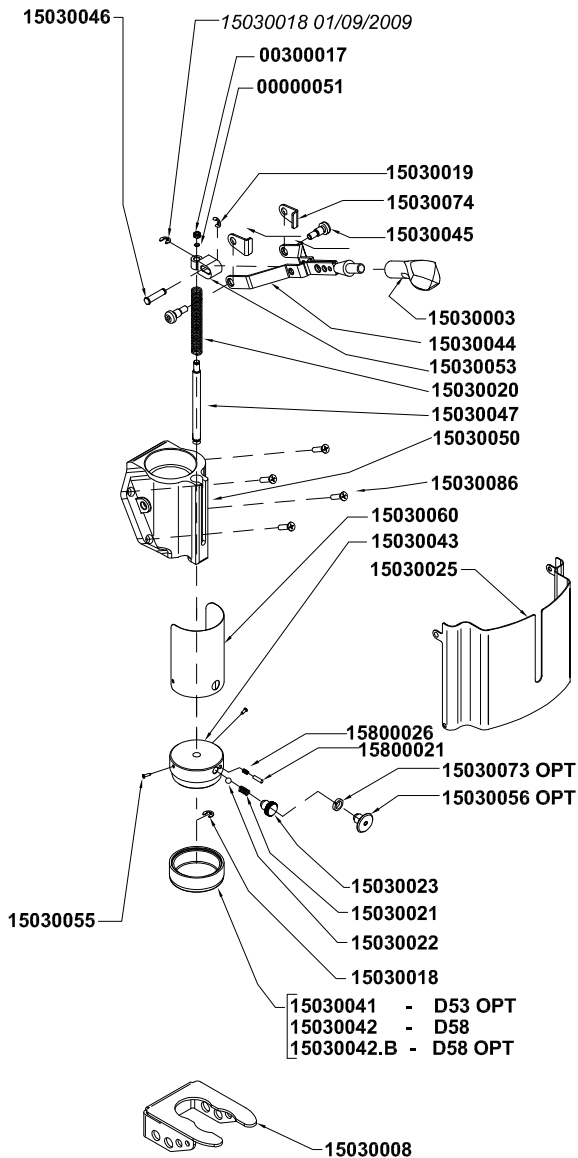


VERSIONE: BASIC



PRESSINO COMPLETO - 15030028 VERSIONE PLUS

KIT RICAMBIO ASTA PRESSINO - 15030061



TAV 02

| CODICE | DESCRIZIONE | DESCRIPTION | DATA FINE VALIDITA' |
|-------------|---|--|---------------------|
| 00000025 | VITE AQ M6x20 TC T.CR. ZINC *KB* | GALV. CROSS HEAD SCREW M6x20 | |
| 00000046 | RONDELLA AQ M6 6,4X12,5X1,6 Z. | WASHER ZINC M6 6,4X12,5X1,6 | |
| 00000047 | VITE AUTOF 2,9x6,5 TC/T.CR. | CROSS HEAD CAP SELF-TAPPING SCREW 2,9x6,5 | |
| 00000051 | RONDELLA D4xD8 UNI 6592 | WASHER 4x8 | |
| 00000106 | RONDELLA ZIGRINATA DIAM 6 | MILLED WASHER DIAM. 6 | |
| 00000111 | VITE AQ 8.8 M6x16 TE ZINC | 8.8 ZINC HEX-HEAD SCREW M6X16 | |
| 00300017 | DADO AUTOBLOC INOX M4 ALTO DIN982 | SELF-LOCKING STAINLESS STEEL NUT M4 HIGH DIN 982 | |
| 15000058 | INTERRUTTORE MONOF.L. 1011.0001 | SWITCH | |
| 15000064 | DADO FERMA PORTAMACINE 2501.0003 | SPIRAL FOR BLADES-BEARER | |
| 15000067 | PRESSACAFFE FRONTALE 2001.0017 | 2001.0017 FRONT COFFEE PRESS | |
| 15030000 | CAMPANA COMP. MYTHOS 4000.0000 | BELL ASSEMBLY MYTHOS 4000.0000 | |
| 15030001 | COPERCHIO CAMPANA MYTHOS 4100.0007 | HOPPER COVER MYTHOS GRINDER | |
| 15030002 | MICROSW SICUREZZA MYTHOS 4110.0007 | SAFETY MICROSWITCH MYTHOS | |
| 15030003 | IMPUGNATURA SAGOMATA X MYTHOS 4100.0025 | SHAPED GRIP FOR MYTHOS 4100.0025 | |
| 15030004 | ALIMENTATORE 220V X MYTHOS 4110.0002 | 220 V FEEDER FOR MYTHOS 4110.0002 | |
| 15030005 | ALIMENTATORE 110V X MYTHOS 4110.0008 | 110 V FEEDER FOR MYTHOS | |
| 15030006 | PIEDINO GOMMA MYTHOS 4100.0035 | FOOT MYTHOS | |
| 15030007 | CASSETTINO X MYTHOS 4100.0009 | DRAWER FOR MYTHOS 4100.0009 | |
| 15030008 | FORCELLA INOX MYTHOS 4100.0019 | SS MYTHOS FORK | |
| 15030009 | MICROSW ATTIV. MACINAT. MYTHOS 4110.0006 | MICROSWITCH | |
| 15030010 | PIOLINO DISTANZIATORE MYTHOS 4100.0033 | SPACER FOR DISPLAY MYTHOS | |
| 15030011 | DISPLAY CON SCHEDA X MYTHOS 4111.0001 | DISPLAY FOR MYTHOS WITH BOARD | |
| 15030012 | PULSANT. MYTHOS N.SIMONELLI 4111.0009 | SIMONELLI MYTHOS TOUCH PAD 4111.0009 | |
| 15030013 | CAVETTO 10 VIE X MYTHOS 4110.0004 | 10-WAY CABLE FOR MYTHOS | |
| 15030014 | MODULO PORTALED MYTHOS 4110.0009 COMPLETO DI CAVETTO | MODULE LED MYTHOS | |
| 15030015 | FRONTALE COM. + PULS. MYTHOS 4100.0012+4111.0009 | COM. FRONT + MYTHOS TOUCH PAD | |
| 15030016 | MOTORE COMPLETO MYTHOS 220V | MYTHOS COMPLETE 220 V MOTOR | |
| 15030017 | MOTORE COMPLETO MYTHOS 110V | MYTHOS COMPLETE 110 V MOTOR | |
| 15030018 | ANELLO ELAST. ALB. D5 DIN 6799 6040.0041 | SHAFT RETAINING RING D5 DIN 6799 | |
| 15030019 | ANELLO ELAST. ALB. D4 DIN 6799 6040.0042 | SHAFT RETAINING RING D4 DIN 6799 | |
| 15030020 | MOLLA RITORNO LEVA PRESS. MYT. 6002.4102 | RETURN SPRING | |
| 15030021 | MOLLA REG. SFERA PRESS. MYTHOS 6002.4101 | PRESSURE REG. KNOB SPRING | |
| 15030022 | SFERA REG. PRESS. MYTHOS 6040.0040 | PRESSURE REGULATOR KNOB | |
| 15030023 | VITE REGISTRO PRESS. MYTHOS 4100.0023 | REGISTER SCREW | |
| 15030025 | SPORTELLO INOX MYTHOS 4100.0011 | SS DOOR MYTHOS 41000011 | |
| 15030027 | CONDENSATORE 60 mF UL 1013.0060 | 60 mF UL CONDENSER 10130060 | |
| 15030028 | PRESSINO COMPLETO MYTHOS 4010.0000 | PRESS ASSEMBLY MYTHOS 4010.0000 | |
| 15030033 | MASC.+ETICHETTA MYTHOS 1 SER. 4100.0005 + E37 | COVER + TOUCH PAD MYTHOS | |
| 15030034 | SPORTELLO INOX MYTHOS S/P 4100.0029 | SS DOOR FOR MYTHOS S/P 41000029 | |
| 15030035 | FRANGIA ROMPIGETTO MYTHOS 4100.0027 | DISPERSION NUT FLANGE MYTHOS 4100.0027 | 16/10/2013 |
| 15030037 | FORCELLA INOX MYTHOS S/PRESS. 4100.0036 | SS MYTHOS M/PRESS FORK | |
| 15030038 | FRONTALE COMANDI COMPLETO 4111.1000 | CONTROL FRONT CABINET MYTHOS | |
| 15030039 | SEPARATORE BASSO 4100.0037 | SEPARATING SET (LOW) | |
| 15030040 | SEPARATORE ALTO 4100.0038 | SEPARATING SET (HIGH) | |
| 15030041 | DISCO PRESSINO D=52 PIATTO x SPAZIALE | PRESS DISC D=52 FLAT FOR SPAZIALE | |
| 15030042 | DISCO INF. PRESSINO D=58 4100.0032 | PRESS DISC D=58 | |
| 15030043 | DISCO SUP. PRESSINO MYTHOS 4100.0031 | PRESS TOP DISC MYTHOS 4100.0031 | |
| 15030044 | LEVA SAGOMATA X PRESS. MYTHOS 4100.0022 | LEVER FOR PRESS.MYTHOS | |
| 15030045 | VITE M6/8X10 BRUGOLA 6060.0090 | SOCKET SCREW MM6/8X10 | |
| 15030046 | PERNO LEVA PRESSINO MYTHOS 4100.0020 | PIN LEVER FOR PRESS.MYTHOS | |
| 15030047 | ASTA ACCIAIO PRESSINO MYTHOS 4100.0017 | ROD FOR PRESS.MYTHOS | |
| 15030048 | GHIGLIOTTINA COMPLETA MYTHOS 4100.0003-4100.0004-6060.0091 | GUILLotine ASSY. MYTHOS | |
| 15030049 | CANALETTO USCITA CAFFE' MYTHOS 4100.0024 | COFFEE OUTLET GUIDE MYTHOS | |
| 15030050 | PORTAMACINE SUP. MYTHOS 4100.0002 | TOP GRINDER SUPPORT MYTHOS | |
| 15030052 | PROTEZIONE SCHEDA MYTHOS 4100.0034 | DISPLAY PROTECTION MYTHOS | |
| 15030053 | NOTTOLINO PER MYTHOS 4100.0014 | LEVER JOINT MYTHOS | |
| 15030055 | VITE AUTOF 2,2x6,5 TCTCR ZINC. 6060.0018 | SCREW 2.2X6.5mm TCTCR | |
| 15030056 | VITE REGISTRO PRESS. MYTHOS CON CHIAVE 4100.0060 | REGISTER SCREW FOR KEY | |
| 15030058 | VITE INOX M3x6 TSP TCR 6060.0091 | SS SCREW M3X6 | |
| 15030059 | FERMAGLIO X FRANGIA ROMPIGETTO MYTHOS 4100.0026 | DISPERSION NUT FLANGE CLIP | 16/10/2013 |
| 15030060 | CAMICIA COPRIGUIDA PRESSINO MYTHOS 4100.0030 | COVER GUIDE FOR PRESS.MYTHOS | |
| 15030073 | RONDELLA REGOLAZIONE PRESSINO 6061.0017 | TAMPER REGULATION WASHER | |
| 15030074 | BATTUTA FINECORSA LEVA PRESSATURA 4100.0072 | END STROKE FOR TAMPER LEVER | |
| 15050023 | CONDENS. 16mF 450V 40x70 UL FASTON M6,3 CODOLO M8x10 | CAPACITOR | |
| 15080002 | COPIA MACINE D.75 | GRINDING WHEELS 75 mm | |
| 15080009 | PORTAMACINA INFERIORE 75 2520.0005 | BOTTOM GRINDER 75 2520.0005 | |
| 15800021 | PERNO INGRANAGGIO MCF 23010009 | GEAR PIN MCF 23010009 | |
| 15800026 | MOLLA INGRANAGGIO DOS. MCF 60022319 | DOS. GEAR SPRING MCF 60022319 | |
| 00300019 | GRANO INOX M4x6 UNI 5923 PP *KB* | STAINLESS STEEL SCREW M4x6 | |
| 15030042.B | DISCO INF. PRESSINO D=58 BOMB. 4100.0042 | PRESS DISC D=58 CONVEX | |
| 15030057 | COPIA MACINE D.75 MYTHOS LONG LIFE MACMYTHOSLOW CP | PAIR OF MYTHOS GRINDERS 75 mm LONG LIFE | |
| 15030061 | KIT RICAMBIO ASTA PRESSINO DINAMOMETRICO MYTHOS | REPLACEMENT KIT ROD FOR PRESS.MYTHOS | |
| 15030062 | PORTAMAC. SUP. TAGLIATO MYTHOS(NO TAMPER) 4100.0039 | UPPER GRINDER HOLDER - MYTHOS (NO TAMPER) | |
| 15030063 | SPORTELLO INOX TAGLIATO MYTHOS4100.0028 | SS DOOR FOR MYTHOS BARISTA | |
| 15030064 | POMELLO REGISTRO MACIN. MYTHOS INTEGRALE 2501.0012 | GRINDER REGISTER HANDLE | |
| 15030065 | MOTORE COMPLETO MYTHOS LOW - SPEED 220V | MYTHOS COMPLETE 220 V LOW-SPEED MOTOR | |
| 15030066 | MOTORE COMPLETO MYTHOS LOW - SPEED 110V | MYTHOS COMPLETE 110 V LOW-SPEED MOTOR | |
| 15030067 | CONDENSATORE 14mF x MYTHOS LOW-SPEED 220V 1013.1400 | 14 mF CONDENSER | |
| 15030068 | CONDENSATORE 50mF x MYTHOS LOW-SPEED 110V 1012.0007 | 50 mF CONDENSER | |
| 15030069 | POMELLO REGISTRO MACIN.MYTHOS BARISTA 4016.0000 | GRINDER REGISTER HANDLE | |
| 15030070.G | CORPO MYTHOS COLORE GRIGIO 4100.0040 | BODY MYTHOS GREY | |
| 15030070.NO | CORPO MYTHOS COLORE NERO OPACO 4100.0040 | BODY MYTHOS OPAQUE BLACK | |
| 15030075 | CONDENSATORE 32mF x MYTHOS 220V 1013.0032 | 32 mF CONDENSER | |
| 15030079 | FRANGIA CLUMP CRUSHER MYTHOS 4100.0079 | DISPERSION NUT FLANG | |
| 15030080 | FERMAGLIO CLUMP CRUSHER MYTHOS 4100.0086 | DISPERSION NUT FLANG | |
| 15030081 | PERNOLINO DI RIFERIMENTO POMELLO MYTHOS 6060.0108 | PIN REGISTER MYTHOS | |
| 15030083 | CHIUSURA SICUR.CAMPANA MYTHOS 5101.0014 | BELL SAFETY COVER MYTHOS 5101.0014 | |
| 15030085 | VITE INOX M4x10 TCT(-) TESTA TAGLIO 6060.0002 FISS. MACINE | GRINDER ASSEMBLY SCREW | |
| 15030086 | VITE INOX M5x16 TC BOMBATA 6060.0093 FISS. PORTA MACINE | BOTTOM GRINDER ASSEMBLY | |
| 15030101 | FORCELLA INOX MYTHOS BARISTA/BASIC/ONE PER PORTAFILTRO "M2" | SS MYTHOS BARISTA/BASIC/ONE FORCK "M2" VERSION | |
| 15030102 | TESTINA PER MYTHOS PLUS-BASIC-BARISTA 4100.0001 | MYTHOS HEAD | |
| 15030109 | VITE INOX M3x6 TSP TCR 6060.0092 | SS CROSS HEAD COUNTERSUNK SCREW M3x6 | |
| 15030116 | DADO AUTOBLOC M3 MYTHOS 6062.0011 | M3 SELF-BLOCKING DICE | |
| 15030117 | CANALETTO USCITA CAFFE' T.N. MYTHOS 4100.0126 | COFFEE SPOUT N.V. MYTHOS | |
| 15030118 | FERMAGLIO CLUMP CRUSHER T.N. MYTHOS 4100.0076 | DISPERSION NUT FLANGE CLIP N.V. "CLUMP CRUSHER" | |